

ZOOM

IVECO MAKES THE DIFFERENCE. LET'S SEE HOW.

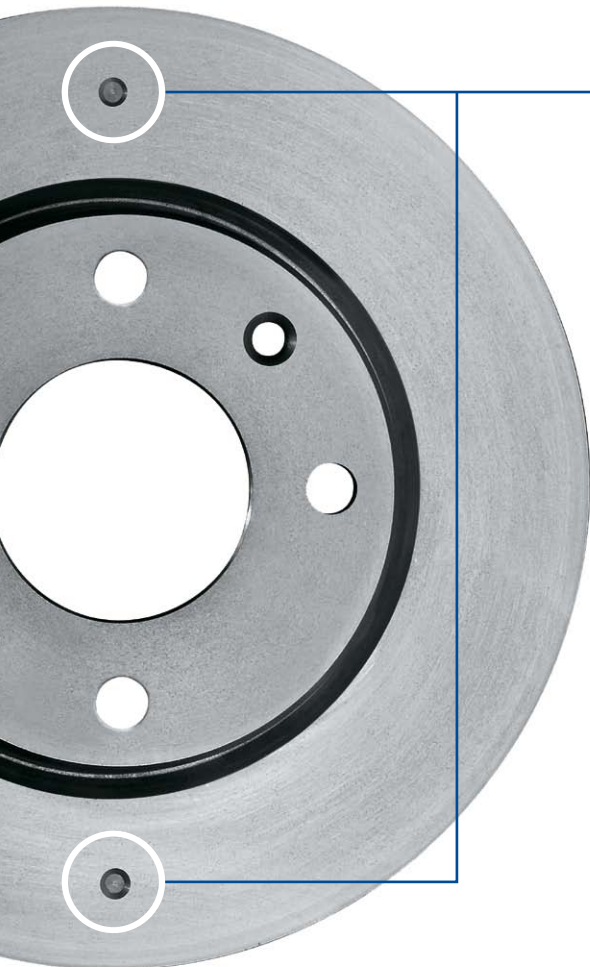


easy:check™

THE FIRST TRUCK DISC WITH WEAR INDICATORS AVAILABLE FOR YOUR DAILY!



CHECK YOUR DISC AT A GLANCE.



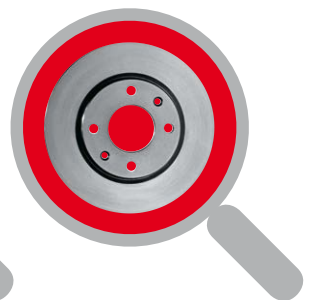
ONLY **2 MARKS** TO DETERMINE WHEN YOUR DISCS NEED CHANGING.



2 MARKS
OK



1 MARK
VISIT DEALER

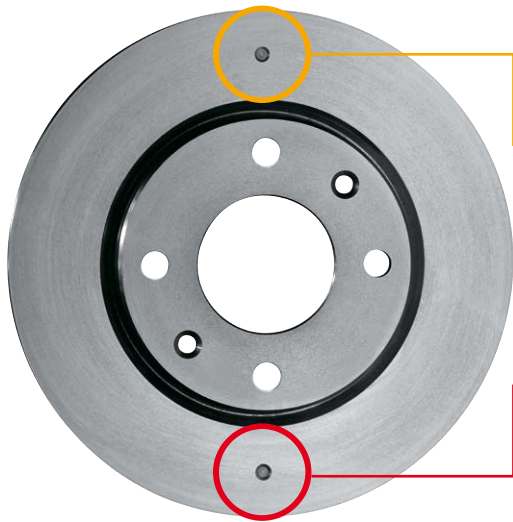


0 MARK
REPLACE

IVECO

Genuine Parts
HIGH PERFORMANCE

HOW DOES IT WORK?



1st HOLE AT MINIMUM THICKNESS MINUS 2dmm (0,2mm).
WHEN THIS HOLE HAS DISAPPEARED, THE DISC MUST BE CONTROLLED.
Go to your dealer to check cracks or deformation behavior.



2nd HOLE AT MINIMUM THICKNESS.
WHEN THIS HOLE HAS ALSO DISAPPEARED, THE DISC MUST BE CHANGED



WHY CHOOSE IVECO DISCS?



SAFETY

Made of high carbon content, lamellar cast iron, our discs have the best material against deformation and cracks.



DURABILITY

Most of Iveco discs have a ventilation to allow dissipation of heat.
We also have a patented ventilation to resist temperatures above 800°C!



STABILITY

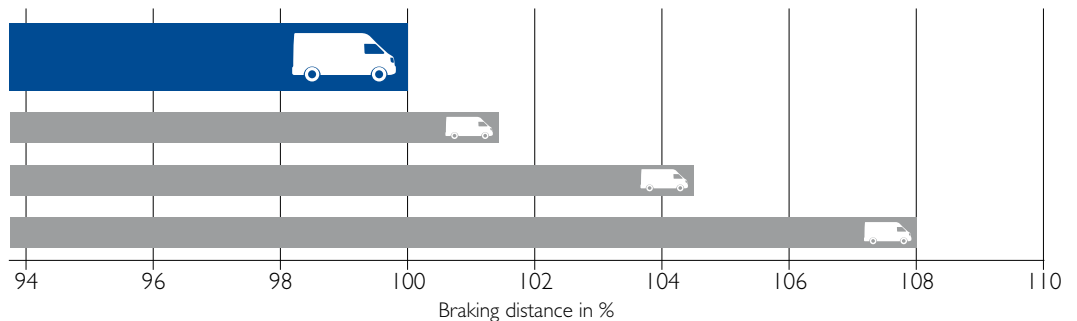
The manufacturing process & testings of our discs enables equal quality along discs'life.



THANKS TO IVECO, STOP YOUR VEHICLE FASTER!

IVECO BRAKE DISC

COMPETITOR 1
COMPETITOR 2
COMPETITOR 3



Braking distance may vary according to road & environment conditions. Urgency tests realized under maximum pressure.

